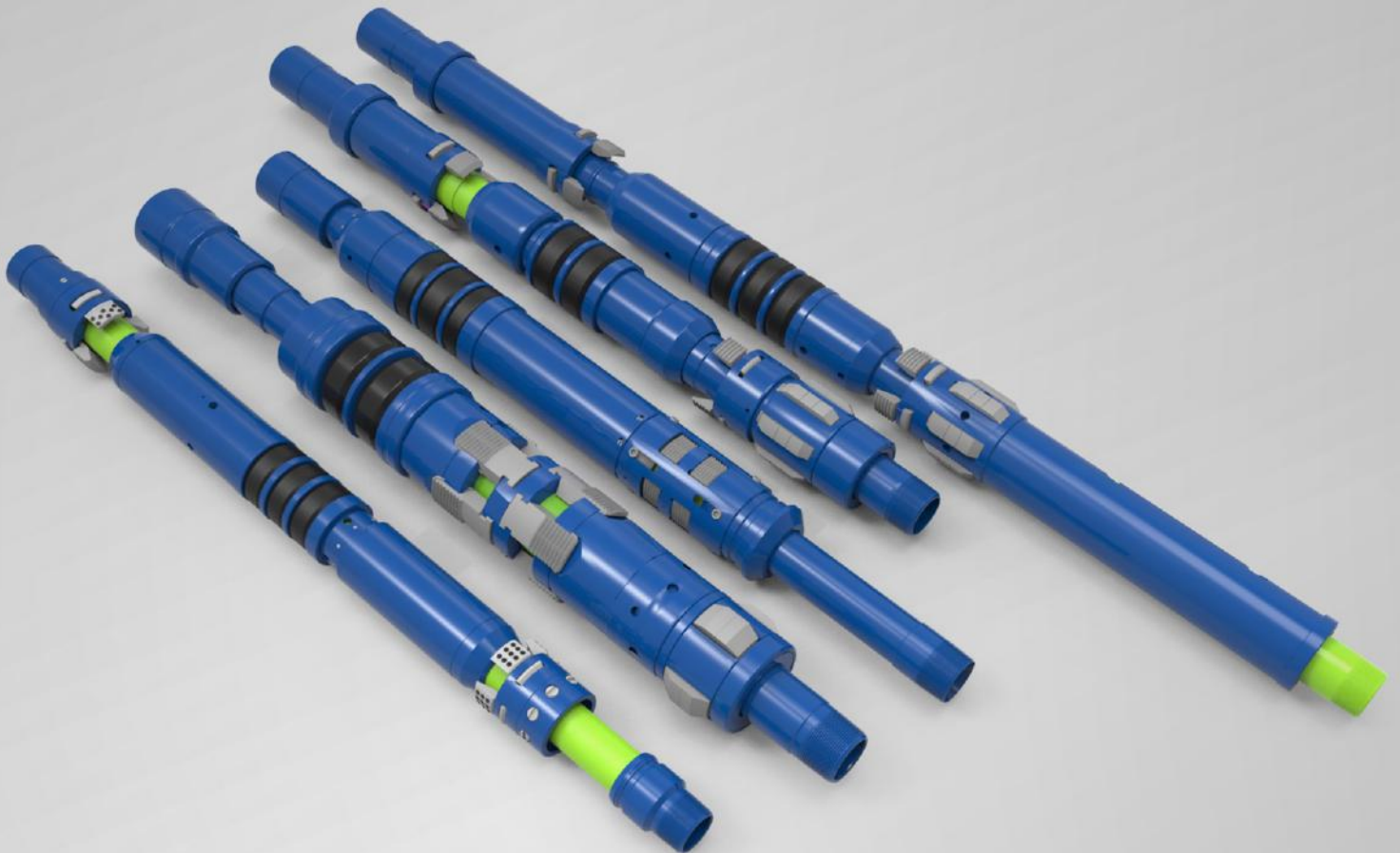


MAXIMUS

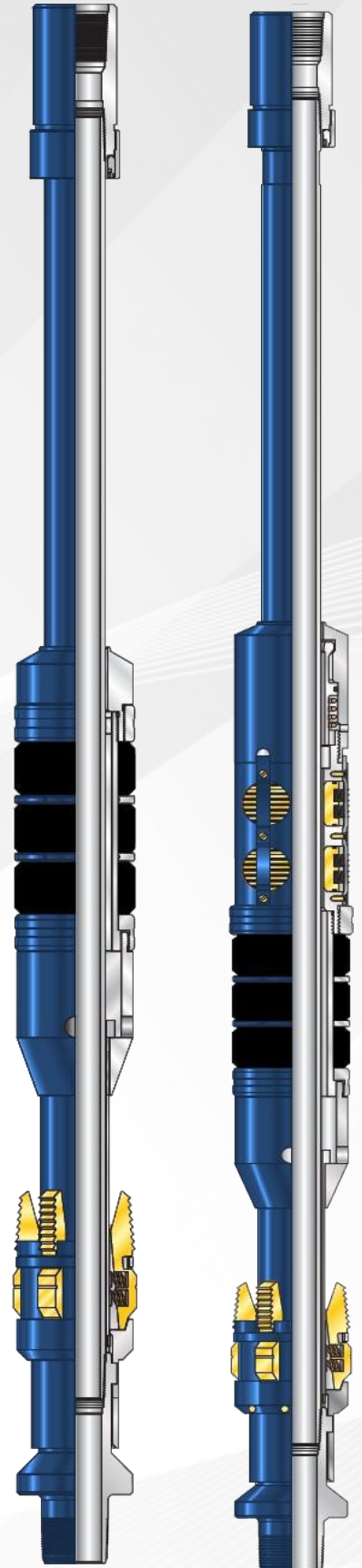
Completion Systems

PACKER SYSTEMS



**MagnusSet – RIII
Compression Set Packer
(Single & Double Grip)**

Part No.: MRIII-450



MagnusSet – RIII Compression Set Packer (Single & Double Grip)

MagnusSet-RIII is a medium duty, compression set, retrievable packer that has proved reliable by its many years of world-wide use.

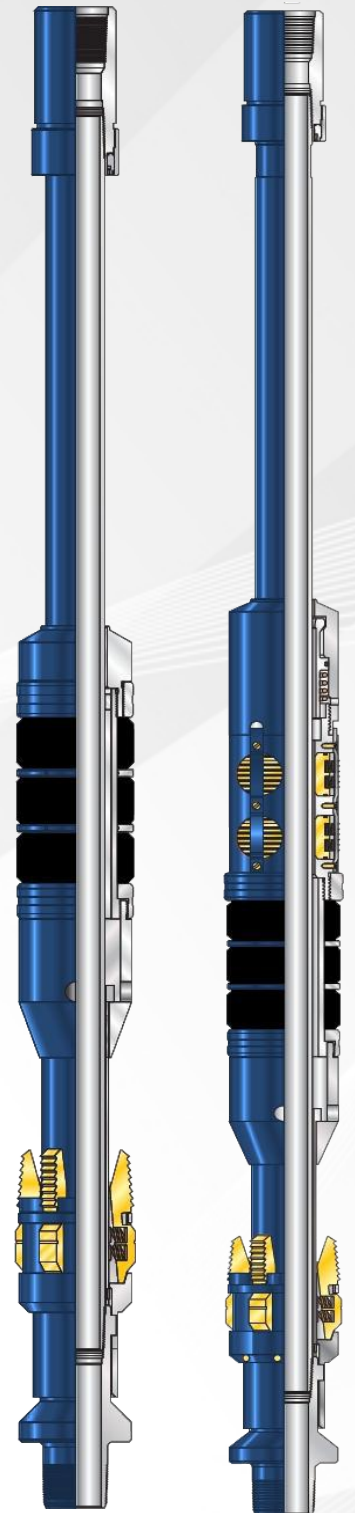
Available in Single & Double Grip versions.

MagnusSet-RIII double-grip is used for production, stimulation and testing where pressure differential from below the tool is expected.

A large bore version is available for 5-1/2" Casing Size

FEATURES:

- Large built-in bypass speeds equalizing and resists swab-off.
- Automatically returns to run in position when moved up the hole
- 30" stroke makes spotting or circulating fluid easier without unseating the packer.
- Three element packing system is field proven to be dependable.
- Rocker-type slips are rugged and reliable.
- Hydraulic, button-type hold-down located below the bypass.
- Built-in differential lock actuated by pressure from below helps keep bypass closed.
- Parts interchangeable with other manufacturers.



Single Grip

Double Grip

MagnusSet – RIII Compression Set Packer (Single & Double Grip)

O.D. (in.)	Weight (lb. /ft.)	I.D. (in.)		Minimum I.D. (in.)	Gauge Ring O.D. (in.)	Connection
		Min.	Max.			
4-1/2	9.5 TO 13.5	3.92	4.09	1.92	3.77	2-3/8 EUE
5	11.5 TO 15	4.40	4.56	1.92	4.250	2-3/8 EUE
	15.0 TO 18.0	4.25	4.40		4.125	
5-1/2	20.0 TO 23.0	4.67	4.79	1.93	4.50	2-3/8 EUE
	15.5 TO 20.0	4.79	4.95		4.64	
	13.0 TO 15.5	4.95	4.89		4.78	
	20.0 TO 23.0	4.67	4.79	2.36	4.50	2-7/8 EUE
	15.0 TO 20.0	4.79	4.97		4.64	
	13.0 TO 15.5	4.95	5.04		4.78	
6-5/8	28.0 TO 32.0	5.67	5.79	1.93	5.49	2-3/8 EUE
	24.0 TO 28.0	5.79	5.92	2.37	5.81	2-7/8 EUE
	24.0	5.83	5.93		5.656	
	17.0 TO 20.0	6.45	6.538			
7	38.0	5.83	5.94	2.37	5.66	2-7/8 EUE
	32.0 TO 35.0	6.00	6.09		5.81	
	26.0 TO 29.0	6.18	6.28		5.97	3-1/2 EUE
	20.0 TO 26.0	6.28	6.46		6.08	2-7/8 EUE
	17.0 TO 20.0	6.46	6.54		6.27	
7-5/8	33.7 TO 39.0	6.62	6.76	2.37	6.45	2-7/8 EUE
	24.0 TO 29.7	6.87	7.02		6.67	
	20.0 TO 24.0	7.02	7.12		6.81	
9-5/8	47.0 TO 53.5	8.53	8.68	2.97	8.59	3-1/2 EUE
	40.0 TO 47.0	8.68	8.835		8.44	
	29.3 TO 36.0	8.92	9.06		8.21	

